

ASCO 185 SERIES AUTOMATIC & MANUALLY OPERATED POWER TRANSFER SWITCHES RATED 100, 200, & 230 AMPERES, 240 VAC, SINGLE PHASE/3 WIRE

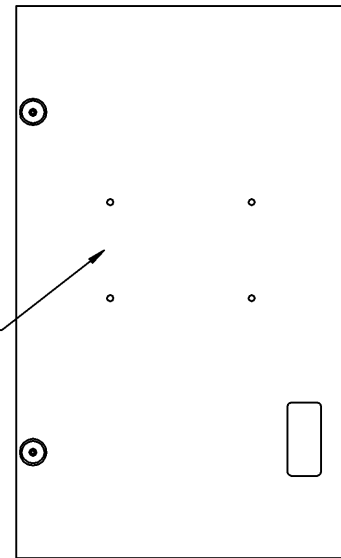
D

C

B

A

AUTOMATIC TRANSFER SWITCH DOOR REAR VIEW

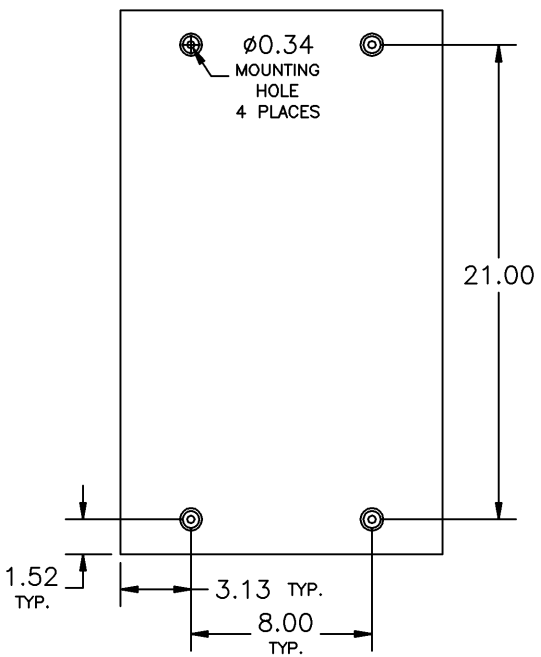


OPTIONAL ACCESSORY 11BG AUTOMATIC ENGINE-GENERATOR EXERCISER WITH POWER SOURCE AVAILABILITY SIGNAL CONTACTS

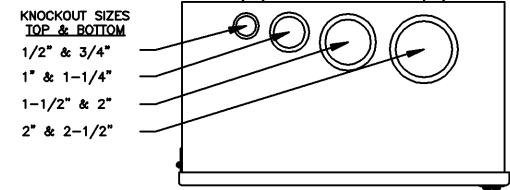
KNOCKOUT SIZES LEFT SIDE

- 1-1/2" & 2"
- 1" & 1-1/4"
- 3/4" & 1"
- 1/2" & 3/4"

REAR (ALL UNITS)



TOP (ALL UNITS) WITH DOOR



NOTES:

1) Automatic & Manually Operated Power Transfer Switch: ASCO D185, 2 pole, 100, 200, & 230 amperes, 240 vac. Listed to UL 1008, Standard for Transfer Switching Equipment. For use on Optional Standby Systems as defined by NFPA 70 (National Electrical Code (NEC), Article 702.

Transfer Controller (Automatic Type Only) - Group 4 Automatic Transfer Switch Controller including: (Refer to 185 Series Operator's Manual, PN 381333-319, supplied with the transfer switch for detailed information)

User Controls & Status Indication

- Load on Preferred Source (Utility) LED indicator - green
- Load on Alternate Source (Generator) LED indicator - red
- Preferred Source (Utility) Acceptable LED indicator - green
- Alternate Source (Generator) Acceptable LED indicator - red
- Automatic Engine-Generator Exerciser (Setting & Engine Running) LED indicator
- Transfer Test membrane pushbutton
- Bypass Time Delay (active time delay or engine-generator exercise period) membrane pushbutton
- Set Engine Exerciser membrane pushbutton

Time Delays

- Override Momentary Preferred Source (Utility) Outages - Factory set at 3 seconds
- Transfer to Alternate Source (Generator) - Factory set at 10 seconds
- Override Momentary Alternate Source (Generator) Outages - Factory set at 4 seconds
- Retransfer to Preferred Source (Utility) - 5 minutes/fix
- Engine-Generator Unloaded Running (Cooldown) Period - Factory set at 5 minutes

Control Signals

Engine-Generator Automatic Starting Controls - (1) form C contact

Remote Controls (Using Customer Supplied Contacts)

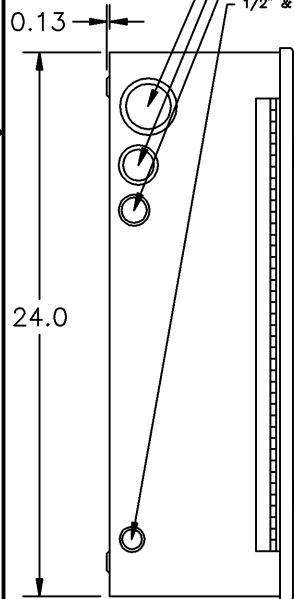
- Remote Test Feature
- Remote Test with Automatic Retransfer to Preferred Source (Utility) Feature
- Bypass Time Delay on Retransfer to Preferred Source (Utility) Feature

External Manual Transfer Operator (Manual Type Only) - Quick Make/Quick Break Operator for manual load transfer. Includes padlocking provision of operating handle.

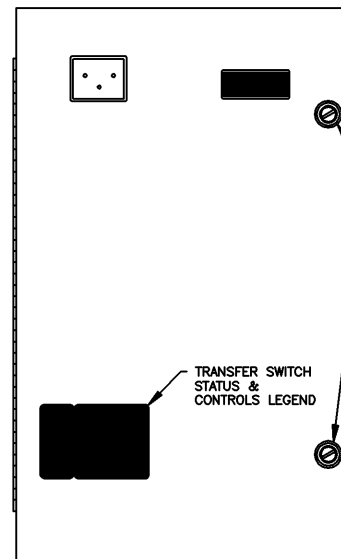
2) Enclosure: Listed to UL 50 Standard for Enclosures for Electrical Equipment. Type 1 Indoor. 14 gauge steel. Finish - RAL 7035 Light Gray Polyester Powder Coating.

3) Neutral & Equipment Ground Terminations - Provide for Preferred (Utility) & Alternate (Generator) Sources and Load

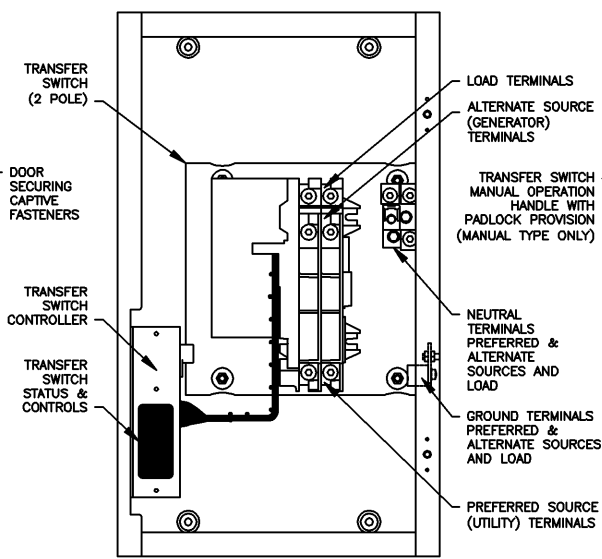
4) Conductor Sizes - 100 amps: (1) #14 AWG to 4/0 AWG Al or Cu. 200 & 230 amps: (1) #14 AWG to 4/0 AWG Cu ONLY.



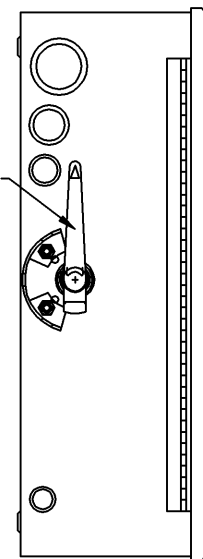
LEFT SIDE AUTOMATIC TRANSFER SWITCH WITH DOOR



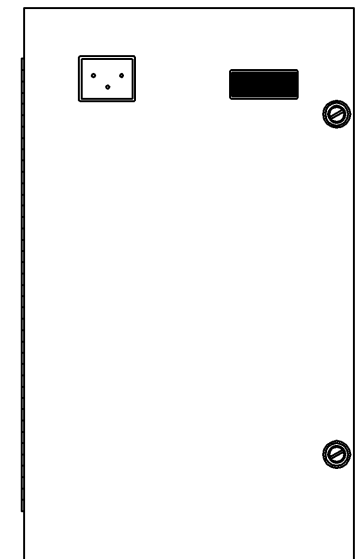
FRONT AUTOMATIC TRANSFER SWITCH WITH DOOR



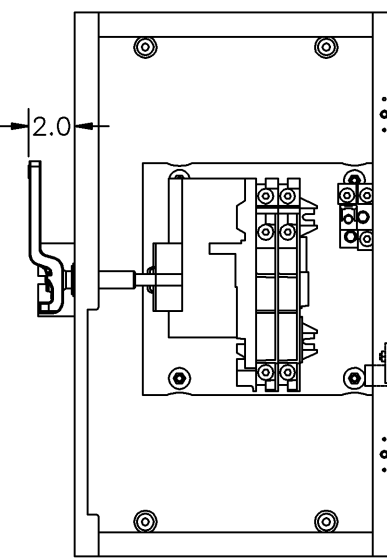
FRONT AUTOMATIC TRANSFER SWITCH WITHOUT DOOR



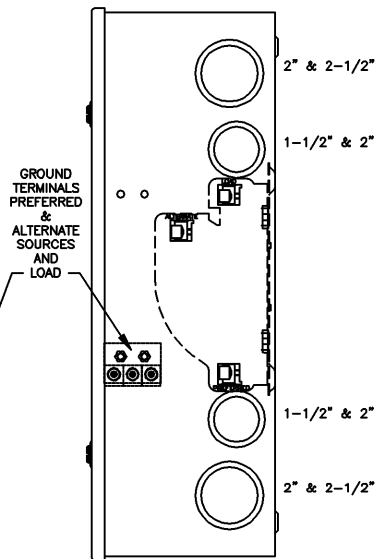
LEFT SIDE MANUALLY OPERATED TRANSFER SWITCH WITH DOOR



FRONT MANUALLY OPERATED TRANSFER SWITCH WITH DOOR

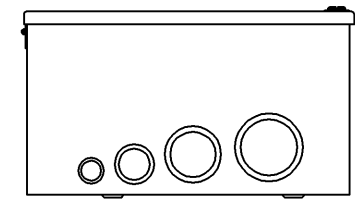


FRONT MANUALLY OPERATED TRANSFER SWITCH WITHOUT DOOR



RIGHT SIDE (ALL UNITS) WITH DOOR

BOTTOM (ALL UNITS) WITH DOOR



B	221452	JPB	JPB	01/19/09
	SEE ECH			
A	220173	BWM	SDH	10/3/08
	SEE ECH			
	219798	SDH	SDH	9/18/08
	ISSUE			

PROJECT NAME:		185 SERIES		REV. TO SHEET		EDN NO.	BY	APP.	DATE	
OUTLINE & MOUNTING		185 SERIES		185 SERIES (100, 200, & 230 AMPERES)		AUTOMATIC & MANUALLY OPERATED TRANSFER SWITCHES		THIRD ANGLE PROJECTION		
BY	DATE	MANUFACTURING TOLERANCES TO BE IN ACCORDANCE WITH ASCO PROCEDURE MP-1-003. FOR PLASTIC PARTS SEE MP-1-005		ASSEM. REF. NO.		COMPUTER GENERATED DRAWING		SCALE: 4 SIZE DS		
DRAWN BY	SDH	9/08					DWG. NO. 844557		DRAWING B	
CHECKED		PROPERTY OF ASCO POWER TECHNOLOGIES. USE PERMITTED FOR OUR WORK ONLY. ALL RIGHTS OF DESIGN OR INVENTION ARE RESERVED.				844557		REV. 10F1		
PROJECT APPROVAL		ASCO POWER TECHNOLOGIES, LP.		FLORHAM PARK, NEW JERSEY 07932 U.S.A.		REV. 221452		10F1		
FINAL APPROVAL	SDH	9/08								