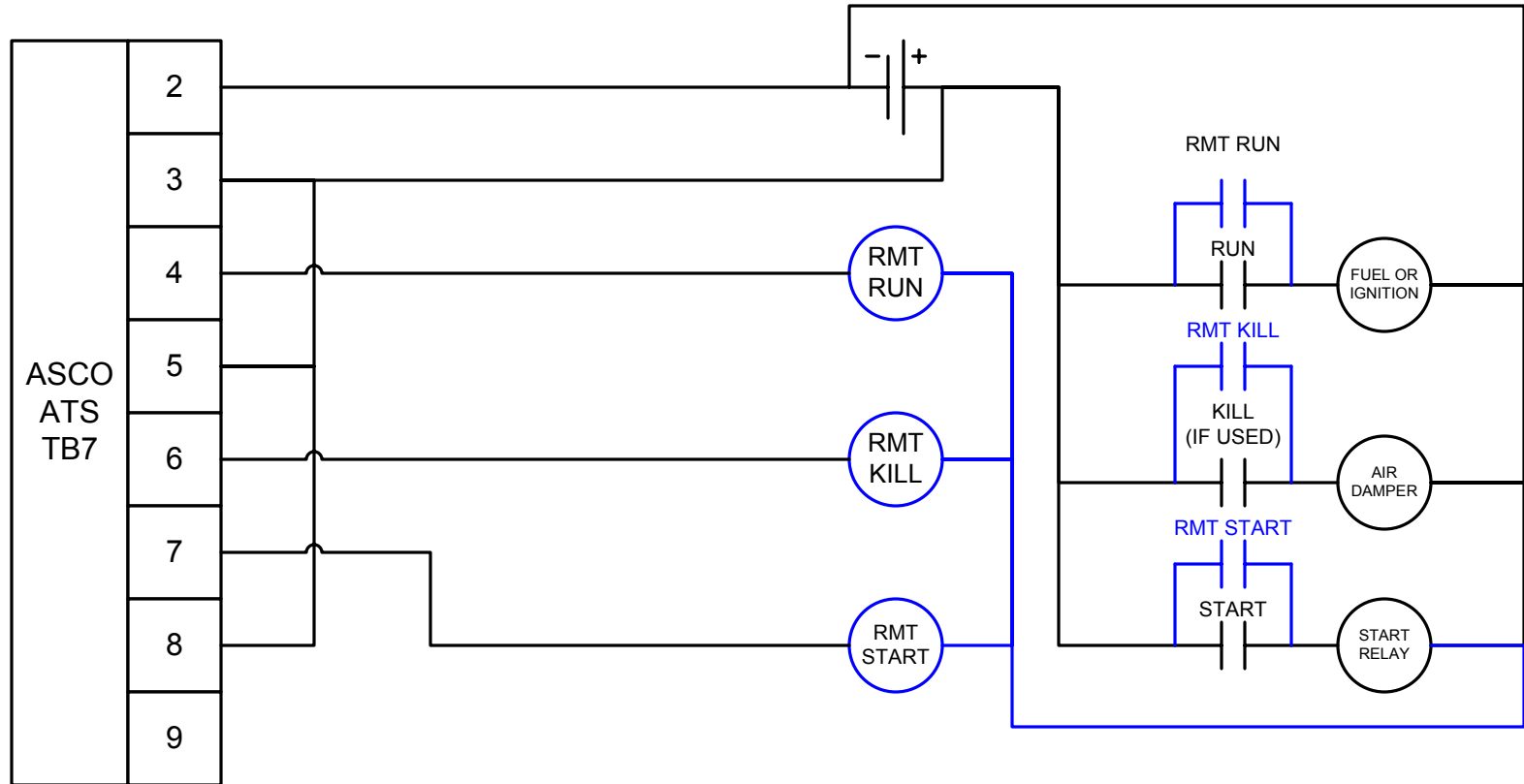


ASCO SERIES 165 ATS WITH ACC 105E TYPICAL WIRING DIAGRAM



NOTES:

1. THE 105E ACCESSORY CONTACTS ARE RATED AT 5 AMPS AT UP TO 24 VOLTS.
2. THIS DIAGRAM REPRESENTS A GENERIC INSTALLATION AND IS NOT MEANT TO BE REPRESENTATIVE OF ANY SPECIFIC GENERATOR MODEL.
3. ITEMS IN BLUE ARE CUSTOMER SUPPLIED AND SHOULD BE INSTALLED IN THE GENERATOR.
4. RELAYS ARE T&B P/N T9AP1D52 OR EQUIV.
5. IF THE GENERATOR USES AN AIR DAMPER TO STOP THE ENGINE, OPTIONALLY A SINGLE SHOT TIMER, MACROMATIC P/N TR5172608 OR EQUIV. CAN BE USED TO LIMIT THE AMOUNT OF TIME THAT THE DAMPER SOLENOID IS ENGAGED.

DOCUMENT ID:

ACC105E GENERIC

REVISIONS :

V1.1 11/30/2006 JKS

**COPYRIGHT 2006
BIG LAKE SUPPLY LLC**

*THIS DOCUMENT MAY NOT BE
REPRODUCED OR DISTRIBUTED
WITHOUT WRITTEN PERMISSION
OF BIG LAKE SUPPLY*